



Description

Roof Fire Department outlet (male) angle connections, required for Class I and Class III service. Serving as a water source for the Fire Fighting Service, each outlet must be capable of supplying a minimum flow of 250 GPM. and are controlled by angle or straight hose valves. The control valve may be attached directly to the male outlet or installed in a remote position and controlled by external means.

There are no clappers or spring checks in any outlet connection. In buildings equipped with fire pumps, these outlets or “hydrants” can be used as a fire pump test connection for conducting flow tests. Fire Dept. roof connections are a source of water to enable the Fire Fighting Service to attack a fire on or below the roof of a building.

Versions and product codes

Series	Size	Type	Finishing
A98 TWO WAY ANGLE OUTLETS	4" x 2 1/2"	NPT inlet (F) x Two NPT or hose thread outlets (M)	Rough brass
	6" x 2 1/2"		
A98 THREE WAY ANGLE OUTLETS	4" x 2 1/2"	NPT inlet (F) x Three NPT or hose thread outlets (M)	Rough brass
	6" x 2 1/2"		

Technical data

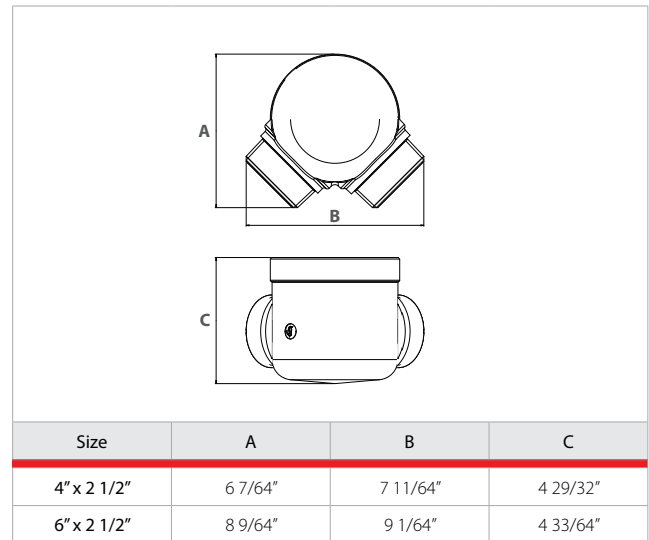
- Rated pressure: 300 PSI (20,6 bar)

Materials

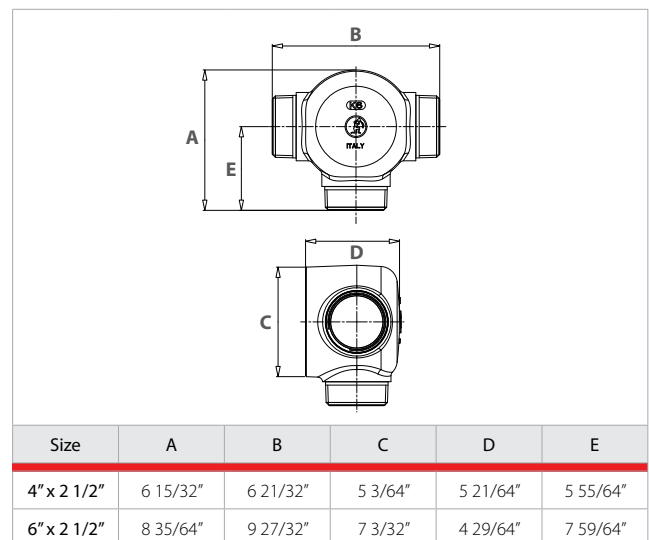
- Body: casted brass CuZn37Pb2Ni1AlFe-B in accordance with European Standard UNI EN1982-2000 CB753S, corresponding to American Standard ASTM B30 C85700
- Tensile strength of the material in the shape of bar: min. 300 MPa
- Stress for permanent distortion R(0.2): min. 150 MPa
- Elongation: min. 15 %

Dimensions

A98 - FEMALE NPT INLET x TWO MALE NPT OR HOSE THREAD OUTLETS



A98 - FEMALE NPT INLET x THREE MALE NPT OR HOSE THREAD OUTLETS



Product specifications

A98 – TWO WAY OUTLETS - 4" INLET

Exposed Fire Department connections, two ways outlet, female NPT inlet and male NPT or male hose threaded outlets, angle connection. Used as roof fire Department outlet connection or as pump test connection, with main feature as following:

- Casted brass body
- 4" female NPT inlet
- two 2 1/2" male NPT or hose thread outlets
- Rated pressure 300 psi

A98 – TWO WAY OUTLETS - 6" INLET

Exposed Fire Department connections, two ways outlet, female NPT inlet and male NPT or male hose threaded outlets, angle connection. Used as roof fire Department outlet connection or as pump test connection, with main feature as following:

- Casted brass body
- 6" female NPT inlet
- two 2 1/2" male NPT or hose thread outlets
- Rated pressure 300 psi



A98 – THREE WAY OUTLETS - 4" INLET

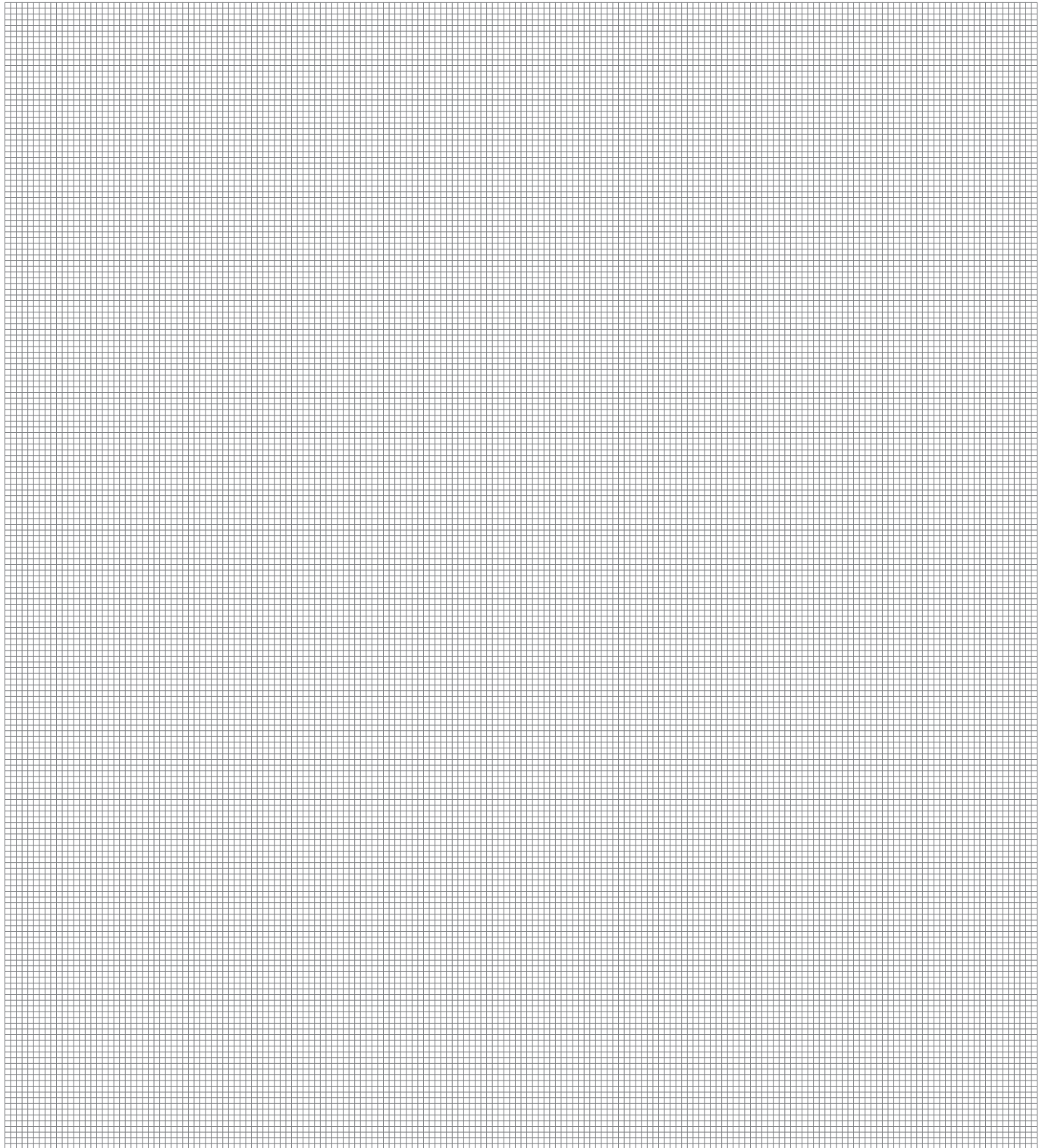
Exposed Fire Department connections, three ways outlet, female NPT inlet and male NPT or male hose threaded outlets, angle connection. Used as roof fire Department outlet connection or as pump test connection, with main feature as following

- Casted brass body
- 4" female NPT inlet
- three 2 1/2" male NPT or hose thread outlets
- Rated pressure 300 psi

A98 – THREE WAY OUTLETS - 6" INLET

Exposed Fire Department connections, three ways outlet, female NPT inlet and male NPT or male hose threaded outlets, angle connection. Used as roof fire Department outlet connection or as pump test connection, with main feature as following

- Casted brass body
- 6" female NPT inlet
- three 2 1/2" male NPT or hose thread outlets
- Rated pressure 300 psi



Additional information

For additional information please check the website www.giacomini.com or contact the technical service: ☎ +39 0322 923372 📠 +39 0322 923255 ✉ consulenza.prodotti@giacomini.com
This pamphlet is merely for information purposes. Giacomini S.p.A. retains the right to make modifications for technical or commercial reasons, without prior notice, to the items described in this pamphlet. The information described in this technical pamphlet does not exempt the user from following carefully the existing regulations and norms on good workmanship.
Giacomini S.p.A. Via per Alzo, 39 - 28017 San Maurizio d'Opaglio (NO) Italy